

EA170 Series - Standard

Mechanical travel 10° to trip.

EA170 Series - Short Travel

Mechanical travel of 6½° required to trip.

EA170 Series - Reverse Shaft

Mechanical travel 10° or 6½° to trip

- 2NO/2NC
- Double Pole, Double Throw (DPDT)
- Rocker-Type SNAP-LOCK® Technology
- Three Mounting Styles Available (Standard, Wide, Long)
- Die-cast Zinc Housing for Corrosion Resistance

Technical Data

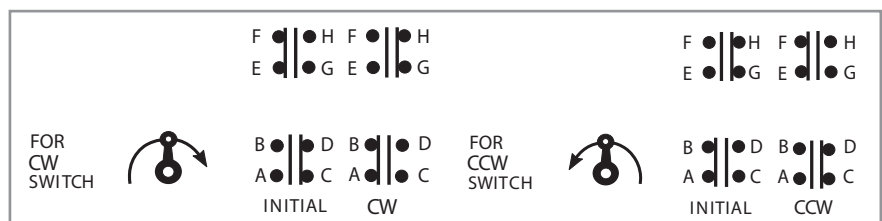
- Meets NEMA 1, 4 & 13 requirements. Enclosure is watertight, oil & dust tight
- Contacts made of silver alloy. Contact shifting mechanism is locked in position by the latches until switch lever is actuated.
- Temperature Range: -20°C to + 90°C.
- Operating Lever is adjustable by 7°30' increments 167°(Standard), 173°(Short Travel), & 360°(Reverse Shaft)
- Wiring space is ample for up to size 12 wire with easily accessible terminal screws
- Form "Z" contact arrangement
- Options available
 - Precious metal contacts
 - High Temperature (0°C to + 150°C) components and lubricants
 - Low Temperature (-40°C to + 90°C) components and lubricants
 - NEMA 4X Enclosure
 - Geothermal Environment Requirement
- Weight - Approx. 3.5 lbs.

Continuous Current Rating - Amperes

Volts	AC	DC
125	20	5
250	15	1.5
480	10	
600	5	

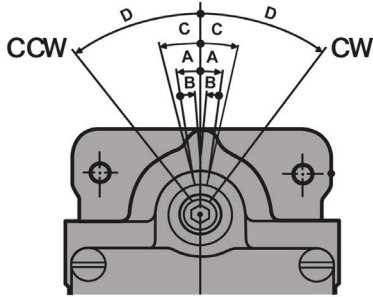
75-100% Power Factor

Contact Configuration



Operational Data

Standard Shaft



Standard

A. Trip Travel	10°
B. Reset Travel	8°
C. Recommended Travel	13°
D. Total Travel	37°

Torque to Trip 23 lb-in.
 Weight Approx. 3.5 lbs

Short Travel

A. Trip Travel	6°30'
B. Reset Travel	4°
C. Recommended Travel	7°
D. Total Travel	36°

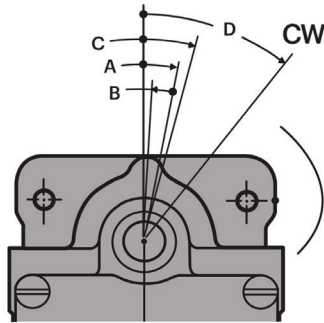
Max Torque During Pre-Travel 32 lb-in.
 Max Torque at Total Travel 45 lb-in.
 Weight Approx. 3.5 lbs

Reverse Shaft

A. Trip Travel	10°
B. Reset Travel	8°
C. Recommended Travel	13°
D. Total Travel	37°

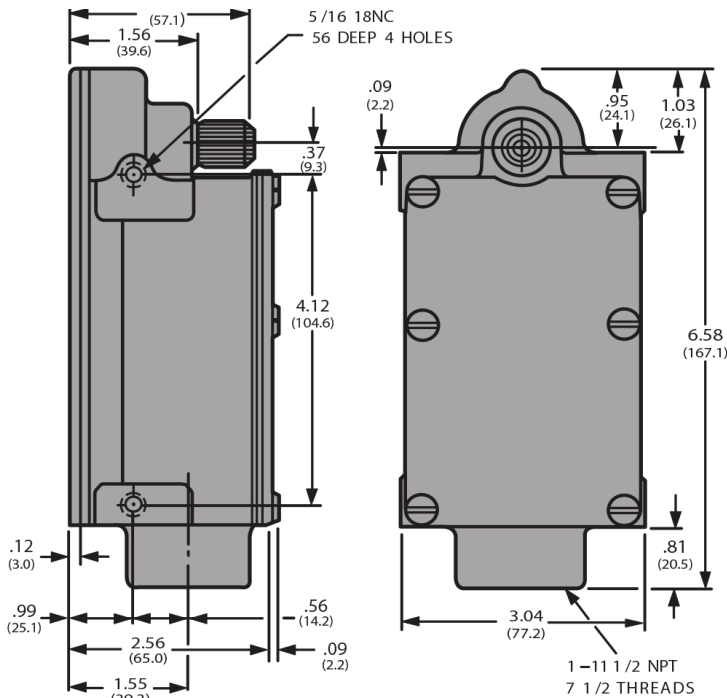
Weight Approx. 3.5 lbs

Reverse Shaft

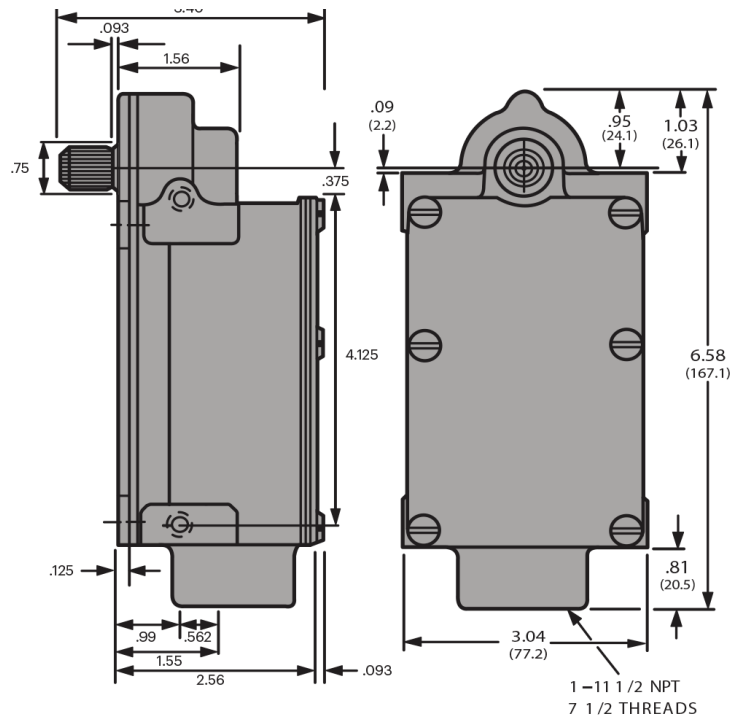


Dimensions & Mounting

Standard Mounting - Standard Shaft



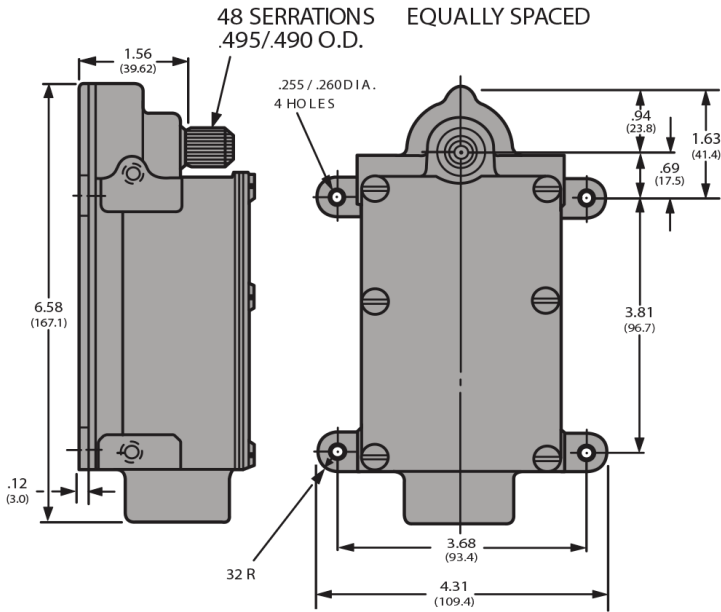
Standard Mounting - Reverse Shaft



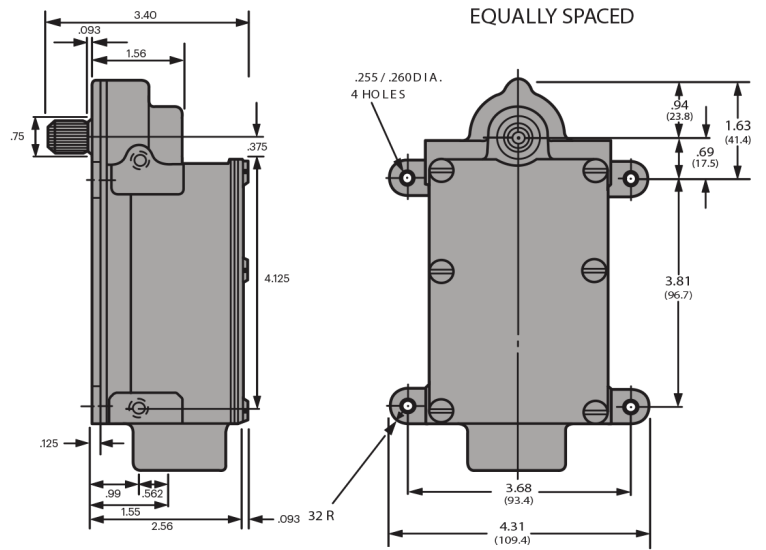
All dimensions given in Inches (mm)

Dimensions & Mounting

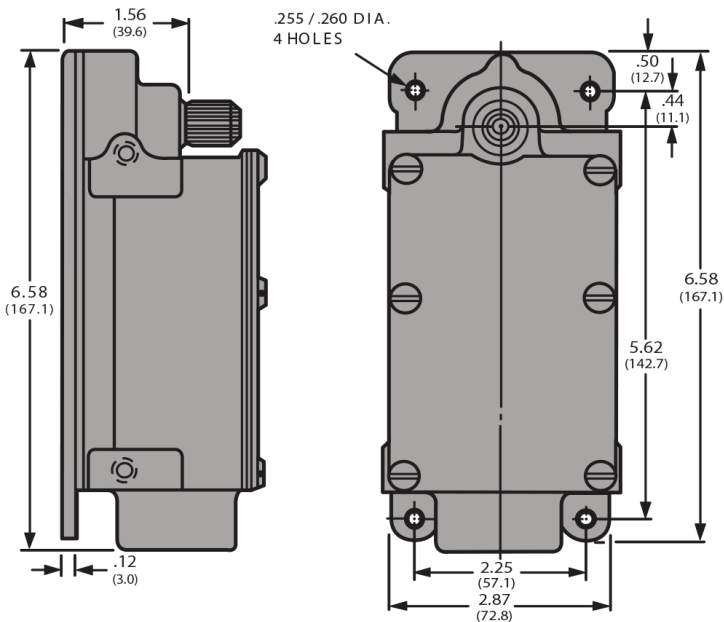
Wide Mounting - Standard Shaft



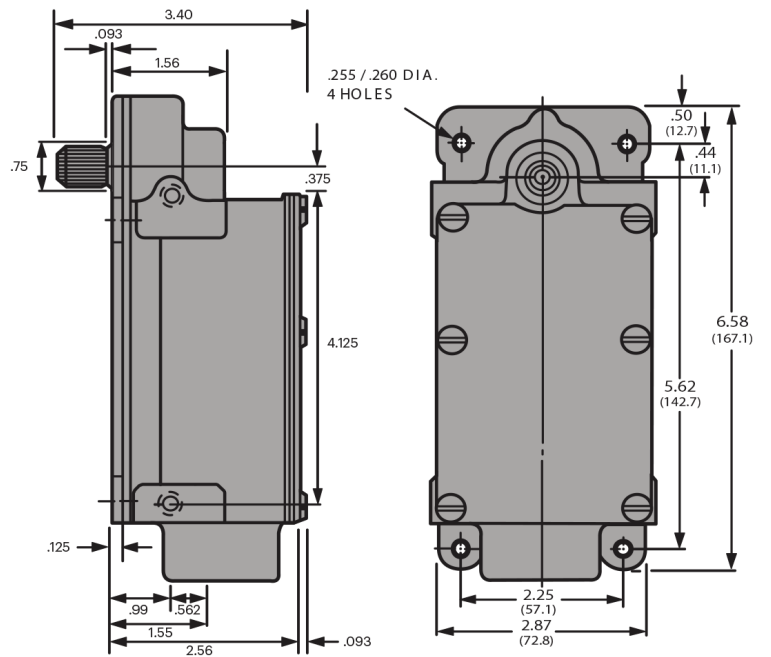
Wide Mounting - Reverse Shaft



Long Mounting - Standard Shaft



Long Mounting - Reverse Shaft



All dimensions given in Inches (mm)

Ordering Information

EA170 -

